

S E R V I C E N O T E

SUPERSEDES: None

4278A 1kHz/1MHz Capacitance Meter

Serial Numbers: 0000J00000 / 2936J02833

Modification prevents clogging memory card socket

Duplicate Service Notes: None

To Be Performed By: Agilent-Qualified Personnel

Parts Required:

Part No.	Qty.	Description
04278-66510	1	Memory Card Socket Assy
04278-00637	1	Plate
04278-01205	1	Angle
0515-1550	2	Screw
0535-0004	2	Nut

Note:

This service note applies only to 4278As that do not yet have the dust-preventive cover installed.

Continued

DATE: 04 June 1992

ADMINISTRATIVE INFORMATION

SERVICE NOTE CLASSIFICATION:			
MODIFICATION RECOMMENDED			
ACTION CATEGORY:	<input type="checkbox"/> IMMEDIATELY <input checked="" type="checkbox"/> ON SPECIFIED FAILURE <input type="checkbox"/> AGREEABLE TIME	STANDARDS:	Labor 0.5 Hour
LOCATION CATEGORY:	<input type="checkbox"/> CUSTOMER INSTALLABLE <input type="checkbox"/> ON-SITE <input checked="" type="checkbox"/> SERVICE CENTER	SERVICE INVENTORY:	<input type="checkbox"/> RETURN <input type="checkbox"/> SCRAP <input checked="" type="checkbox"/> SEE TEXT
AVAILABILITY:	PRODUCT'S SUPPORT LIFE	USED PARTS:	<input type="checkbox"/> RETURN <input checked="" type="checkbox"/> SCRAP <input type="checkbox"/> SEE TEXT
AUTHOR: YO	ENTITY: 3355	AGILENT RESPONSIBLE UNTIL: 31 May 1994	
		ADDITIONAL INFORMATION:	

Situation:

The memory card socket of 4278A which used in a production line may clog up with dust.

Solution/Action:

Replace the defective memory card socket assembly by installing the new one with the dust-preventive cover, refer to Figure 1.

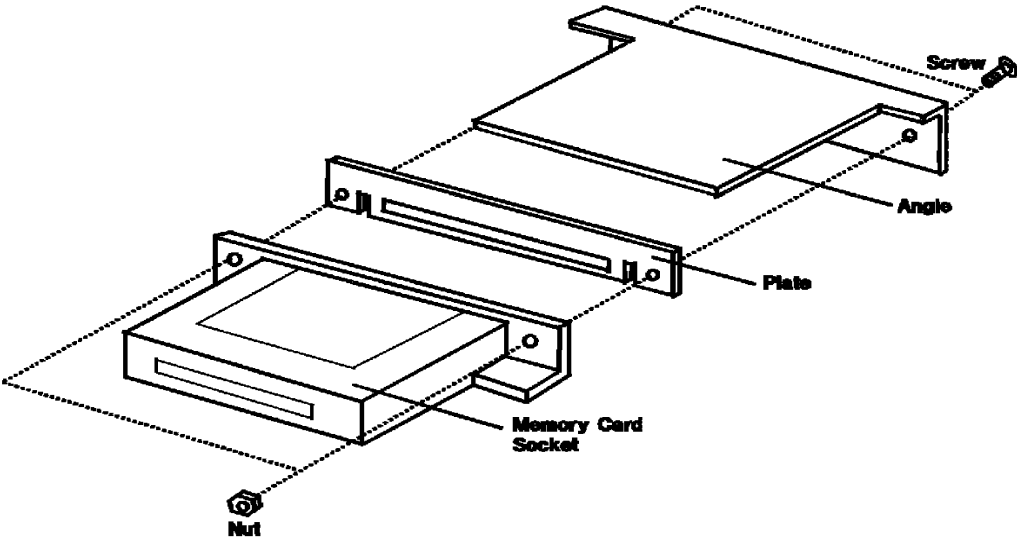


Figure 1. Dust-Preventive Cover Assembly